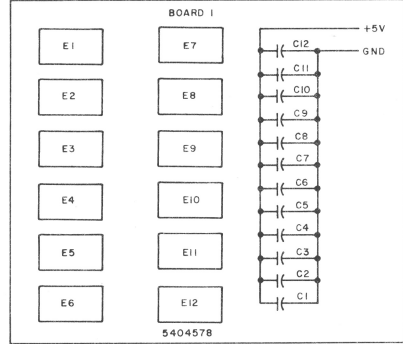
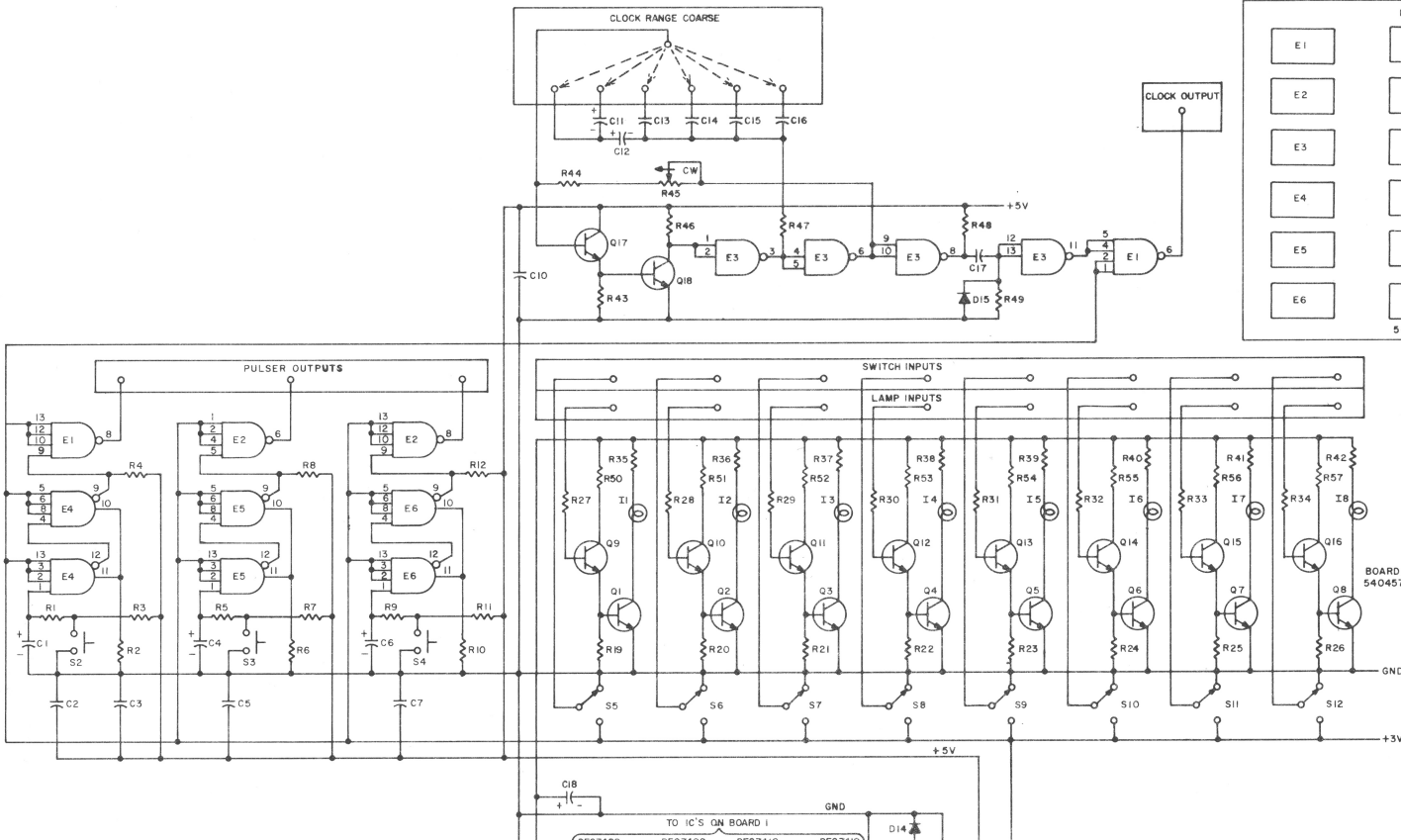


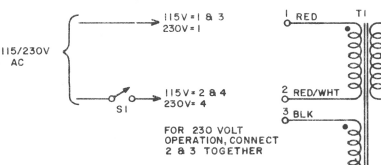
THIS SCHEMATIC IS FURNISHED ONLY FOR TEST AND MAINTENANCE PURPOSES. THE CIRCUITS ARE PROPRIETARY IN NATURE AND SHOULD BE TREATED ACCORDINGLY. COPYRIGHT 1968 BY DIGITAL EQUIPMENT CORPORATION



E8, E11	INTEGRATED CKT. DEC7410N	1905576
E4, E10	INTEGRATED CKT. DEC7450N	1905580
E3, E9	INTEGRATED CKT. DEC7420N	1905577
E1, E6, E7, E12	INTEGRATED CKT. DEC7473N	1905587
E2, E5	INTEGRATED CKT. DEC7400N	1905575
C1-C12	CAP. .01MFD 100V 20% DISC	1001610

E4-E6	INTEGRATED CKT. DEC7460N	1905581
E3	INTEGRATED CKT. DEC7400N	1905575
E1, E2	INTEGRATED CKT. DEC7440N	1905579
I1-I8	LAMP HUDSON 2306	1905591
D1-D3, D8-D14	DIODE MR2064 OR IN4001	1103183 1102942
D4-D7, D15	DIODE D664	1100114
Q9-Q16	TRANSISTOR DEC3568	1502937
Q17, Q18	TRANSISTOR DEC4274	1505302
Q1-Q8	TRANSISTOR DEC3009B-S	1503100
S5-S12	SWITCH RS-90-FB-PC	1205941
S2-S4	SWITCH RS-9-3-FB-PC	1205375
T1	TRANSFORMER 230/0-12663-2	1609115
R45	SWITCH-PC7 COMBINATION	1209118
R49	RES. 220 1/4W 5% CC	1300271
R46	RES. 5.6K 1/4W 5% CC	1301874
R27-R34	RES. 10K 1/4W 5% CC	1300479
R17	RES. 3 1/2W 5% W.L. 10XMM	1309019
R3, R7, R11	RES. 4.7K 1/4W 5% CC	1300447
R4, R8, R12, R19-R26, R43	RES. 1K 1/4W 5% CC	1300365
R15, R9	RES. 470 1/4W 5% CC	1300316
R35-R42	RES. 33 1/2W 5% CC	1300195
R2, R6, R10	RES. 100 1/4W 5% CC	1300229
R18	RES. 100 1/2W 5% CC	1300228
R15, R16	RES. 82 1/2W 10% CC	1300225
R13, R14	RES. 68 1/2W 10% CC	1300220
C8, C9, C18	CAP. 5.00MFD 100V -10 +75%	1005592
R44	RES. 750 1/4W 5% CC	1301401
C15	CAP. 100MMF 100V 5% D.M.	1000042
C16	CAP. 100MMF 100V 5% D.M.	1000018
C14	CAP. .022MFD 100V 10% MYLAR	1002323
C13	CAP. .47MFD 100V 10% MYLAR	1000040
C17	CAP. 220MMF 100V 5% D.M.	1000018
C11, C12	CAP. 20MFD 50V -10 +75%	1002839
C1, C4, C6	CAP. 6.8MFD 35V 20% STANT	1000067
C2, C3, C5, C7, C10	CAP. .01MFD 100V 20% DISC	1001610

NOTES:
1. S1 IS A MALLORY SWITCH US26 WHICH IS INCLUDED IN R45
2. ETCH BOARD IS 5404576



REVISIONS	DATE	BY	DESCRIPTION
1	7/26/68	BSS	REVISED
2	8/11/68	BSS	REVISED

DATE	DATE	DATE	DATE
7/26/68	8/11/68	8/11/68	8/11/68

TRANSISTOR & DIODE CONVERSION CHART	DATE	BY	DESCRIPTION
DEC 183 808	7/26/68	BSS	REVISED
DEC 184 801	8/11/68	BSS	REVISED
DEC 3009B	8/11/68	BSS	REVISED
DEC 4274	8/11/68	BSS	REVISED

REFERENCE DESIGNATION		DESCRIPTION		PART NO.	
PARTS LIST					
DIGITAL COMPUTER LAB H500					
SIZE CODE	NUMBER	REV			
D	CS	H500-0-1			
PRINTED CIRCUIT REV. B					

PINK DIST 3/4 434 435